

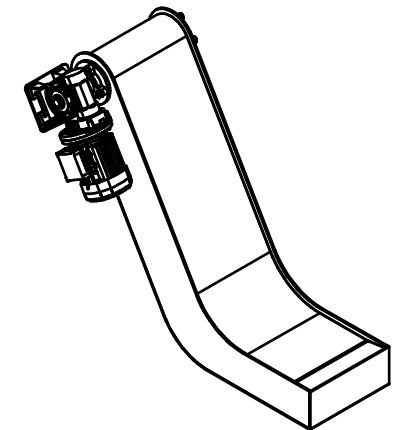
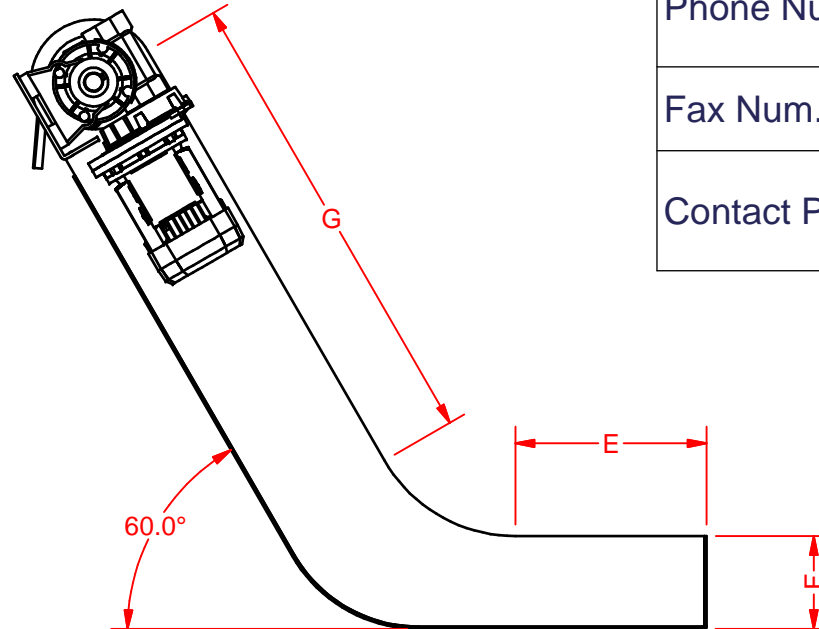
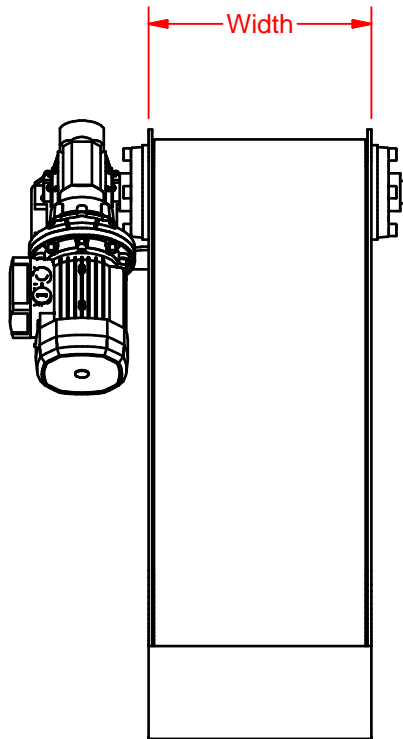
EFAMATIC MACHINE TOOLS, TEL: (011)626-2720

1. PLEASE FILL IN ALL DIMENSIONS.
2. SPECIFY ON WHICH SIDE YOU WOULD LIKE YOUR MOTOR FITTED
3. SPECIFY THE RAL COLOUR CONVEYOR HAS TO BE PAINTED


FAX BACK TO: (011) 626-2966

Description	Value(mm)
Width (295 to 500mm)	
Length (E, 0.25m to 5m)	
Height (F, Std 125mm)	
Angle (60degrees Std)	
Rise Height (G)	

Item	Please Complete
Company	
Phone Num.	
Fax Num.	
Contact Person	



If you require something more specific please give us a call...

Efomatic Machine Tools <small>This drawing is the property of Efomatic Machine Tools (PTY) LTD. and nothing herein may be reproduced, used or disclosed in whole or part without prior written permission.</small>	Rev	Description	Date	Intl.	Drawn By: Jonathan	Description: Magnetic Chain Conveyor Template	 Inventor	A4 Drawing Number: MC.Quote.idw
					Date: 2006/04/24			
					Scale: (1:10)			