

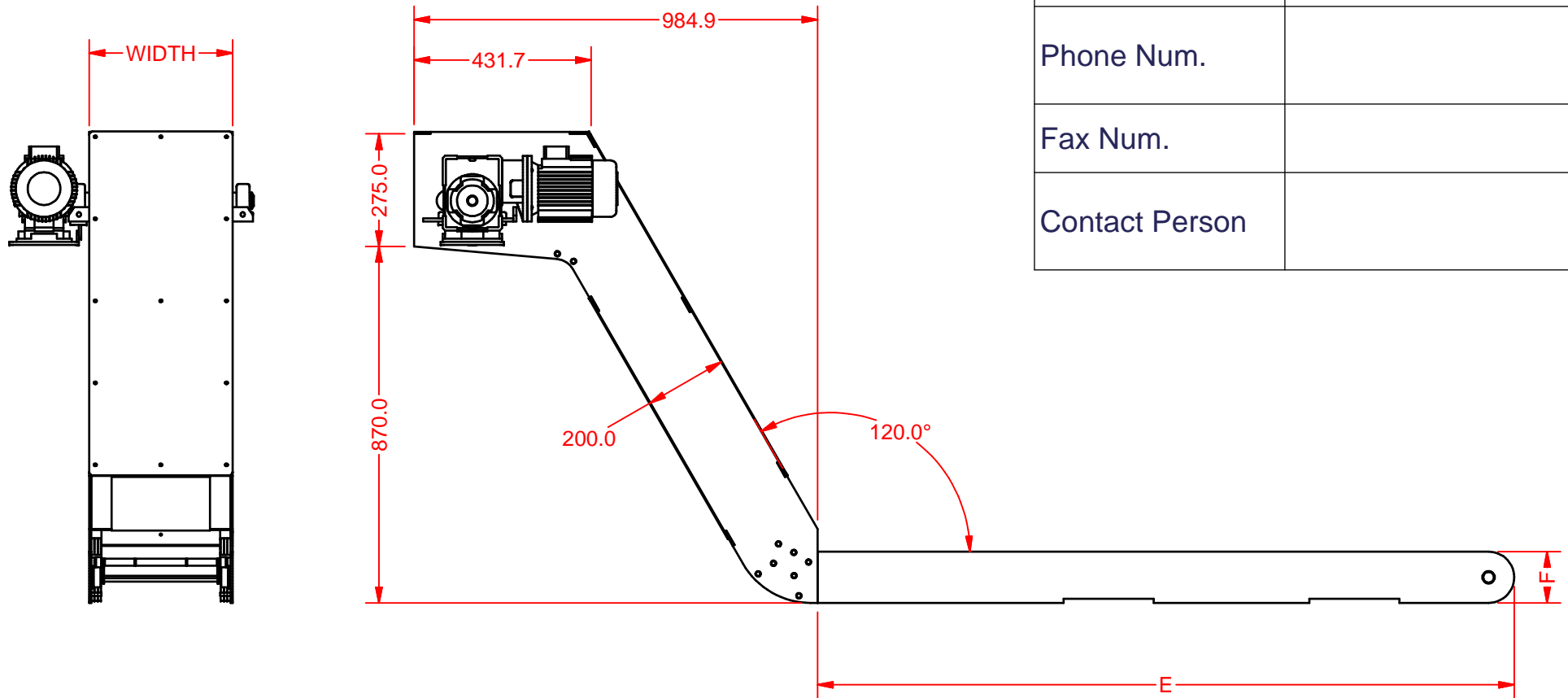
EFAMATIC MACHINE TOOLS TEL: (011)626-2720

1. PLEASE FILL IN ALL DIMENSIONS.
2. SPECIFY ON WHICH SIDE YOU WOULD LIKE YOUR MOTOR FITTED
3. SPECIFY THE RAL COLOUR CONVEYOR HAS TO BE PAINTED

FAX BACK TO: (011) 626-2966

Description	Value(mm)
Width	
Length (E)	
Height (F, Std 130mm)	

Item	Please Complete
Company	
Phone Num.	
Fax Num.	
Contact Person	



If you require something more specific please give us a call...

Efumatic Machine Tools <small>This drawing is the property of Efumatic Machine Tools (PTY) LTD. and nothing herein may be reproduced, used or disclosed in whole or part without prior written permission.</small>	Rev	Description	Date	Intl.	Drawn By: Jonathan	Description: Single Link Chain Conveyor Template	Inventor A4 Drawing Number: SLC.Quote.idw
					Date: 2009/08/19		
					Scale: (1 : 15)		